



FEATURES

neoHub Mini HW

Connectivity	WiFi 2.4 GHz
Max Connected Devices	3
Heating Zones	2
Hot Water Zones	1
Compatible Devices	neoAir V2-M
RF Module	868Mhz
Mounting	Surface Mount
Indicators	LED
Aerial	Integrated
Power	230Volts AC
Output	Volt Free (Max Switching 230VAC 3 amps)
Dimensions	106mm(W) x 106mm (H) x 30mm (D)
Weight	239g

API

API - Third Party Integration

Our published API (JSON) makes it easy for third party integration companies to integrate our Neo System with leading home automation brand products from companies such as Control4 and Crestron.



Multi-Locations

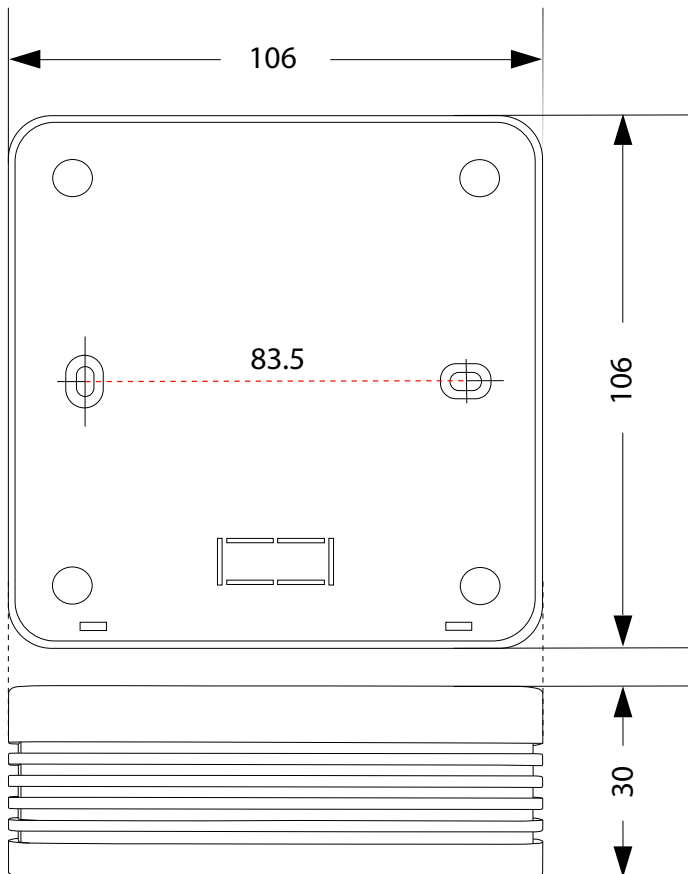
During the installation of the app, you are prompted to create an account on the Heatmiser Cloud Server after which multiple locations can be created. Logging into to your account from another device will present all of your Locations for quick and easy access.



- Total control from anywhere using your smartphone.
- Connection method: Data & WIFI Networks.
- Use your own WiFi router to connect to miniHub using our smartphone, tablet and desktop applications.
- Free App downloads and no subscription costs.



Product Dimensions (mm)



Wiring Connections

