

# heatmiser®

## Want More Information?

Call our support team on: +44 (0)1254 669090

Or view technical specifications directly on our website:  
[www.heatmiser.com](http://www.heatmiser.com)



PDF



FAQ



VIDEO



Follow us on:

twitter



Find us on:  
facebook®

Twitter: @heatmiseruk

Facebook: facebook.com/thermostats

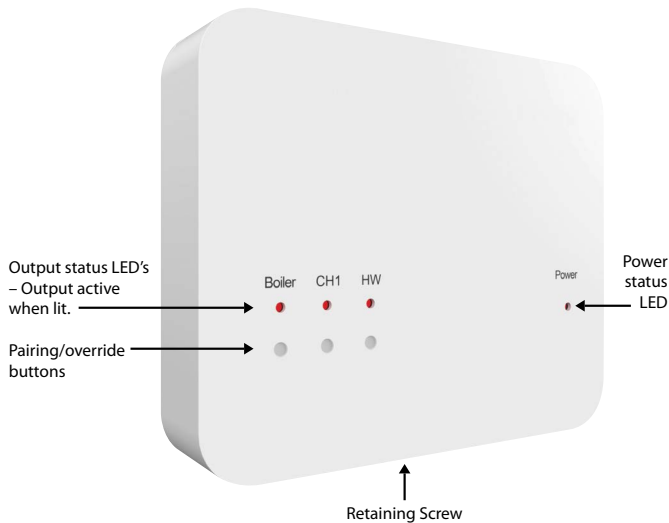
Rev 1.1

# heatmiser®



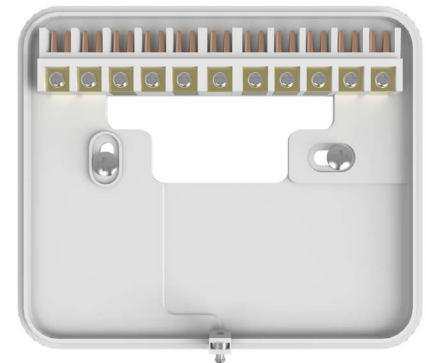
Model: RF-Switch

## 1 RF-Switch – LED/button indication



## 2 Installing the RF-Switch

- Using a small screwdriver, slightly loosen the screw located at the base of the RF-Switch. You can then carefully separate the front panel from the back plate.
- Position the RF-Switch back plate on the wall, fixing into place using the screws provided.
- Terminate the cables to the RF-Switch as shown in the wiring diagram (section 6).
- Mount the front panel onto the back plate, tighten the retaining screw on the base.
- Switch on the power supply, the power LED will illuminate.



## 3 Overriding the RF-Switch outputs

To override an output on the RF-Switch, simply press the override button once, the output & LED will then be activated.

To override the output off, press the button once.

#### 4 Pairing the RF-Switch to the UH8-RF

On the RF-Switch, press and hold the Boiler pairing button for 5 seconds.

The Boiler status LED will switch on.

Press and release the pairing button on the UH8-RF.

When the RF-Switch detects the pairing signal from the UH8-RF, the Boiler LED will switch off.

To pair your wireless thermostat to the RF-Switch, please refer to your wireless thermostat instruction manual.

#### 5 Factory Resetting the RF-Switch

To reset an output of the RF-Switch, follow these steps;

- Press and hold both the Boiler & HW pairing buttons for 5 seconds. The LED's on the RF-Switch will now flash.

- Press and release the button of the channel to reset.

For example pressing the CH1 button, will erase all devices paired to The CH1 channel.

Once the LED's have stopped flashing the reset procedure is complete.

#### 6 RF-Switch Wiring Diagram

